

四列圆柱滚子轴承标志说明

Symbol Description Of Four-row Cylindrical Roller Bearings >>>

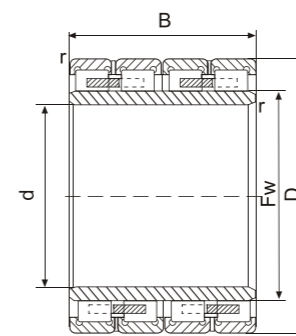
例: 滚动轴承 FC3854200/P63
Example: Rolling Bearing **FC3854200/P63**



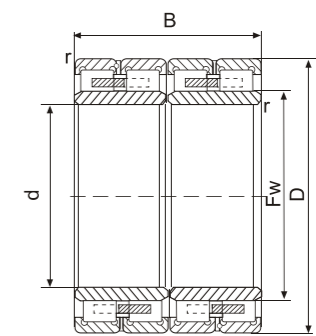
四列圆柱滚子轴承
Four-row Cylindrical Roller Bearings



FC	轴承的结构特征 Structural characteristic of bearing
38	公称内径的毫米数/5 (190mm) Nominal inner diameter/5(190mm)
54	公称外径的毫米数/5 (270mm) Nominal outer diameter/5 (270mm)
200	公称宽度的毫米数 (200mm) Nominal width(200mm)
P63	公差等级(6)、径向游隙(3)组 Grade of Tolerance(6)、Radial Clearance(Group3)



FC



FCD

四列圆柱滚子轴承 Four-row Cylindrical Roller Bearings

外形尺寸(毫米) Boundary dimensions (mm)					基本额定负荷 (千牛) Basic load ratings (kN)		极限转速(转/分) Speed rating (rpm)		型号 Designations
d	D	B	Fw	r _{min}	Cr	Cor	脂润滑 Grease	油润滑 Oil	
100	135	80	110	1.5	198	496	3500	4100	FC202780
	140	70	111	1.5	220	480	3400	4000	FC202870
	140	80	111	1.5	220	480	3400	4000	FC202880
	145	70	113	1.5	230	470	3400	4000	FC202970
	150	106	113	1.5	353	792	3400	4000	FC2030106
110	170	90	127	2.0	390	760	2800	3600	FC223490
	170	120	127	2.0	520	1160	2800	3600	FC2234120
120	180	92	137	2.0	380	800	2600	3400	FC243692
	180	105	135	2.0	430	920	2600	3400	FC2436105
130	200	104	150	2.0	480	1020	2400	3000	FC2640104
	200	125	149	2.0	630	1370	2400	3000	FC2640125
140	190	119	154	2.0	470	1280	2400	3000	FC2838119
	210	80	156	2.0	500	970	2200	2800	FC284280
	210	106	158	2.0	540	1150	2200	2800	FC2842106
	210	125	158	2.0	640	1440	2200	2800	FC2842125
	210	155	158	2.0	790	1860	2200	2800	FC2842155
145	210	155	166	2.0	620	1740	2200	2800	FC2942155
	225	156	169	2.0	760	1750	2000	2600	FC2945156
150	210	120	166	2.0	600	1530	2200	2800	FC3042120
	210	120	166	2.0	600	1530	2200	2800	FCD3042120
	220	120	167	2.0	569	1249	2000	2600	FC3044120
	225	112	170	2.0	550	1210	2000	2600	FCD3045112
	225	120	169	2.0	640	1370	2000	2600	FC3045120
	225	120	169	2.0	640	1370	2000	2600	FCD3045120
	225	150	169	2.0	810	1830	2000	2600	FC3045150
	230	156	174	2.0	850	2050	2000	2600	FC3046156
160	250	120	178	2.0	740	1570	2000	2600	FC3050120
	230	130	180	2.1	690	1630	2000	2600	FC3246130
	230	168	179	2.1	890	2270	2000	2600	FC3246168
	240	124	183	2.1	670	1500	1900	2400	FC3248124
	240	168	183	2.1	950	2330	1900	2400	FC3248168
170	240	168	183	2.1	950	2330	1900	2400	FCD3248168
	230	130	188.5	2.1	610	1680	1900	2400	FC3446130
	230	180	186	2.1	920	2690	1900	2400	FC3446180
	240	130	190	2.1	680	1720	1800	2300	FC3448130
	250	170	192	2.1	970	2430	1800	2200	FC3450170

四列圆柱滚子轴承 Four-row Cylindrical Roller Bearings

重量(千克) Weight (kg)		相当于国外型号(参考) Equivalent to foreign designations (For your information)				
成套 Complete set	内圈 Inner ring	SKF	FAG	NSK	NTN	KOYO
3.20	1.03					
3.20	1.00					
3.50	1.40					
3.61	1.18					
6.43	1.78					
7.30	2.21					
9.90	3.00					
7.79	2.50				4R2434	
9.00	2.50				4R2438	4CR120
11.50	3.52				4R2628	
14.20	4.04					
9.50	2.95					28FC19119
9.40	2.29					
12.60	3.50					
14.90	4.10					
18.70	5.10					
18.40	6.15	314625	511605		4R2906	
22.20	7.20	313924A	512764	145RV2201	4R2908	313924
12.70	3.70					
12.70	1.85					
14.50	3.98			150RV2201	4R3031	
15.30	2.16					
16.10	4.50					
16.10	2.20					
20.40	5.60					
23.50	7.50	313891A	508955	150RV2301	4R3040	31389-1
24.30	6.70					
16.80	5.40	314190	502894	160RV2301	4R3226	314190
22.10	6.55	315189A	510150	160RV2302	4R3232	
19.00	6.00					
26.10	8.10				4R3225	
26.10	4.00					
15.20	5.20	313673	508370			
21.10	6.30					
18.30	5.70	BC4B635122				
27.90	8.26					34FC25170

四列圆柱滚子轴承 Four-row Cylindrical Roller Bearings

外形尺寸(毫米) Boundary dimensions (mm)					基本额定负荷 (千牛) Basic load ratings (kN)		极限转速(转/分) Speed rating (rpm)		型号 Designations
d	D	B	Fw	r _{min}	Cr	Cor	脂润滑 Grease	油润滑 Oil	
170	260	120	195	2.1	780	1720	1800	2200	FC3452120
	260	150	195	2.1	870	1980	1800	2200	FC3452150
	260	170	195	2.1	956	2226	1800	2200	FC3452170
	260	225	196	2.1	1400	3640	1800	2200	FC3452225
180	250	100	200	2.1	510	1240	1800	2200	FCD3650100
	250	120	200	2.1	610	1580	1800	2200	FC3650120
	250	156	200	2.1	860	2310	1800	2200	FC3650156
	260	120	202	2.1	710	1630	1800	2200	FC3652120
	260	124	202	2.1	710	1630	1800	2200	FC3652124
	260	168	202	2.1	990	2530	1800	2200	FC3652168
	260	168	202	2.1	990	2530	1800	2200	FCD3652168
	280	180	206	2.1	1170	2690	1700	2000	FC3656180
190	260	124	212	2.1	650	1730	1700	2000	FC3852124
	260	124	208	2.1	700	1830	1700	2000	FC3852124A
	260	168	212	2.1	910	2680	1700	2000	FC3852168
	260	168	208	2.1	970	2610	1700	2000	FC3852168A
	265	124	213	2.1	660	1720	1700	2000	FC3853124
	270	168	212	2.1	1040	2720	1700	2000	FC3854168
	270	200	212	2.1	1210	3300	1700	2000	FC3854200
	280	200	214	2.1	1240	3200	1700	2000	FC3856200
200	270	170	222	2.1	810	2460	1600	1900	FC4054170
	280	170	222	2.1	1030	2730	1600	1900	FC4056170
	280	188	222	2.1	1140	3120	1600	1900	FC4056188
	280	200	222	2.1	1230	3420	1600	1900	FC4056200
	280	200	224	2.1	1210	3610	1600	1900	FC4056200A
	290	130	226	2.1	860	2030	1600	1900	FC4058130
	290	192	226	2.1	1240	3250	1600	1900	FC4058192
290	192	226	2.1	1240	3250	1600	1900	FCD4058192	
210	290	192	234	2.1	1090	3210	1500	1800	FC4258192
	300	170	234	2.1	1160	2950	1500	1800	FC4260170
	300	210	234	2.1	1400	3800	1500	1800	FC4260210
	300	210	234	2.1	1400	3800	1500	1800	FCD4260210
220	300	192	242	2.1	1240	3560	1400	1700	FC4460192
	310	192	246	2.1	1290	3790	1400	1700	FC4462192
	310	225	245	2.1	1470	4160	1400	1700	FC4462225
	310	225	246	2.1	1350	3980	1400	1700	FC4462225A

四列圆柱滚子轴承 Four-row Cylindrical Roller Bearings

重量(千克) Weight (kg)		相当于国外型号(参考) Equivalent to foreign designations (For your information)				
成套 Complete set	内圈 Inner ring	SKF	FAG	NSK	NTN	KOYO
22.80	6.70					
28.20	8.30				4R3433	
31.60	9.50					
43.20	13.00	313587B	505470		4R3431	
14.70	2.23					
17.70	5.60					
22.80	7.18			180RV2501	4R3625	36FC25156
20.20	6.20					
21.00	6.40					
29.20	8.60	313812	507536	180RV2601	4R3628	313812
29.20	4.26					
41.00	11.00		524372			
19.10	6.61					
20.60	5.43					
27.20	9.10	313651	507735	190RV2601	4R3820	38FC26168
25.70	7.50					
20.80	7.10					
30.00	9.10					
36.80	10.90	314199B	508657	190RV2701	4R3821	31499B
42.10	11.70	314049A	510199		4R3823	
28.30	9.60	314553	522742		4R4039	
32.70	9.60	314385	507344			
35.30	10.70					40FC28188
37.50	11.30	313893	508726	200RV2801	4R4037	
39.20	12.40					
27.90	8.90					
42.50	12.90	313811	512580	200RV2901	4R4041	313811
42.50	6.40					
38.40	12.40	313646	507628		4R4206	
38.40	11.00					
48.20	13.60					42FC30210
48.00	6.71					
39.30	11.90					
45.50	14.20	313839	507333	220RV3101	4R4426	
54.20	15.90	313894B	506869	220RV3102	4R4416	
57.70	16.60					

四列圆柱滚子轴承 Four-row Cylindrical Roller Bearings

外形尺寸(毫米) Boundary dimensions (mm)					基本额定负荷 (千牛) Basic load ratings (kN)		极限转速(转/分) Speed rating (rpm)		型号 Designations
d	D	B	Fw	r _{min}	Cr	Cor	脂润滑 Grease	油润滑 Oil	
220	320	210	248	2.1	1480	3780	1400	1700	FC4464210
	330	230	249	2.1	1720	4340	1300	1600	FC4466230
230	330	170	260	2.1	1210	3210	1300	1600	FC4666170
	330	206	260	2.1	1490	3930	1300	1600	FC4666206
240	340	260	261	2.1	1920	5340	1300	1600	FC4668260
	340	260	261	2.1	1920	5340	1300	1600	FCD4668260
	365	250	266	2.1	2110	5230	1300	1600	FC4673250
	330	220	264	2.1	1460	4220	1300	1600	FC4866220
240	330	220	264	2.1	1460	4220	1300	1600	FCD4866220
	340	192	266	2.1	1340	3480	1300	1600	FC4868192
	350	220	270	2.1	1630	4260	1300	1600	FCD4870220
	360	220	272	2.1	1830	4600	1200	1500	FC4872220
250	340	170	274	3.0	1220	3390	1200	1500	FC5068170
	340	220	274	3.0	1550	4610	1200	1500	FCD5068220
250	350	220	278	3.0	1690	4730	1200	1500	FC5070220
	350	220	278	3.0	1690	4730	1200	1500	FCD5070220
	360	220	282	3.0	1720	4750	1100	1400	FC5072220
	360	192	288	3.0	1400	4120	1100	1400	FC5272192
260	360	200	288	3.0	1490	4310	1100	1400	FC5272200
	370	200	292	3.0	1610	4400	1100	1400	FC5274200
260	370	220	292	3.0	1760	4920	1100	1400	FC5274220
	370	230	292	3.0	1760	4920	1100	1400	FC5274230
	380	220	292	3.0	1860	4810	1100	1400	FC5276220
	380	280	294	3.0	2380	6940	1100	1400	FCD5276280
260	400	290	296	3.0	2770	7090	1100	1400	FCD5280290
	380	230	298	3.0	1890	5360	1000	1300	FC5476230
	380	275	298	3.0	2230	6380	1000	1300	FC5476275
	390	220	306	3.0	1840	5040	1000	1300	FC5478220
270	390	240	298	3.0	2110	5450	1000	1300	FC5478240
	375	200	307	3.0	1469	4328	1000	1300	FC5675200
280	380	192	310	3.0	1420	4180	1000	1300	FC5676192
	380	290	308	3.0	2046	6440	1000	1300	FCD5676290
280	390	220	312	3.0	1820	5270	1000	1300	FC5678220
	390	220	312	3.0	1820	5270	1000	1300	FCD5678220
	390	240	312	3.0	1860	5710	1000	1300	FC5678240
	390	275	308	3.0	2270	6610	1000	1300	FCD5678275

四列圆柱滚子轴承 Four-row Cylindrical Roller Bearings

重量(千克) Weight (kg)		相当于国外型号(参考) Equivalent to foreign designations (For your information)				
成套 Complete set	内圈 Inner ring	SKF	FAG	NSK	NTN	KOYO
55.10	16.80		509216	220RV3202	4R4429	
67.40	19.00	314889	541452			
47.40	15.20					
56.40	18.40	313824	508727	230RV3301	4R4614	
81.10	24.10			230RV3401	4R4611	46FC43260
81.10	12.00					
100.00	27.20	313581A	529113			
56.80	16.10	313921	508368	240RV3301	4R4811	48FC33220
56.80	8.05					
55.00	15.40		512972			
70.70	10.20					
78.40	22.00			240RV3601	4R4807	
44.30	13.20			250RV3501		
58.10	8.38					
66.20	19.80			250RV3501	4R5008	
66.20	9.81					
74.90	22.90					
60.10	17.80					
62.00	18.70					
70.00	21.40	313823	507336			
76.60	23.70			260RV3701	4R5217	
78.60	24.80					
83.20	23.70					
110.00	16.10					
134.00	17.60	313427	518214			
82.70	22.60			270RV3801		54FC38230
97.30	26.60					
86.30	27.80					54FC39220
91.30	23.20					
65.10	19.40					
63.20	20.50					56FC38192
100.00	14.50					
80.90	25.50	313822	507339	280RV3901	4R5611	313822
80.60	12.60					
90.60	27.60					
104.00	27.00	314719C	527104			

四列圆柱滚子轴承 Four-row Cylindrical Roller Bearings

外形尺寸(毫米) Boundary dimensions (mm)					基本额定负荷 (千牛) Basic load ratings (kN)		极限转速(转/分) Speed rating (rpm)		型号 Designations
d	D	B	Fw	r _{min}	Cr	Cor	脂润滑 Grease	油润滑 Oil	
280	390	275	308	3.0	2270	6610	1000	1300	FCD5678275A
	390	275	312	3.0	2260	6940	1000	1300	FC5678275
	420	280	318	4.0	2590	7190	1000	1300	FCD5684280
290	400	180	320	4.0	1472	4036	1000	1300	FC5880180
	410	240	320	4.0	2080	5970	950	1200	FC5882240
	410	240	320	4.0	2080	5970	950	1200	FCD5882240
	420	300	327	4.0	2840	8210	950	1200	FCD5884300
300	420	218	332	4.0	1783	4959	900	1100	FC6084218
	420	240	332	4.0	2160	6370	900	1100	FC6084240
	420	240	332	4.0	2160	6370	900	1100	FCD6084240
	420	300	332	4.0	2690	8020	900	1100	FCD6084300
320	440	240	351	4.0	2140	6100	850	1000	FC6488240
	440	240	351	4.0	2140	6100	850	1000	FCD6488240
	440	300	352	4.0	2720	8280	850	1000	FCD6488300
	450	240	355	4.0	2260	6280	850	1000	FC6490240
	450	240	355	4.0	2260	6280	850	1000	FCD6490240
	460	300	357	4.0	2940	8430	850	1000	FCD6492300
	460	340	360	4.0	3350	10020	850	1000	FCD6492340
	480	290	364	4.0	3260	8680	800	1000	FCD6496290
480	350	364	4.0	3210	9140	800	1000	FCD6496350	
330	460	340	365	4.0	3190	9820	800	1000	FCD6692340
340	450	250	364	4.0	2270	6630	800	1000	FC6890250
	450	250	369	4.0	2130	6460	800	1000	FCD6890250A
	450	250	371	4.0	2120	6790	800	1000	FC6890250A1
	450	250	371	4.0	2120	6790	800	1000	FCD6890250A1
	450	250	366	4.0	2260	6640	800	1000	FC6890250A2
	460	260	370	4.0	2340	6960	800	1000	FCD6892260
	480	280	374	4.0	2840	7870	750	950	FCD6896280
	480	350	378	4.0	3410	10410	750	950	FCD6896350
350	500	380	389	4.0	4030	12040	700	900	FCD70100380
	520	300	401	4.0	3300	9070	700	900	FCD70104300
360	500	250	394	4.0	2480	6730	700	900	FCD72100250
	510	370	397	4.0	3930	11720	700	900	FCD72102370A
	510	380	399	4.0	4020	12070	700	900	FCD72102380
	520	380	405	4.0	4120	12520	700	900	FCD72104380

四列圆柱滚子轴承 Four-row Cylindrical Roller Bearings

重量(千克) Weight (kg)		相当于国外型号(参考) Equivalent to foreign designations (For your information)				
成套 Complete set	内圈 Inner ring	SKF	FAG	NSK	NTN	KOYO
100.00	13.50	314719C	527104			
101.00	31.70		513729		4R5612	
140.00	19.10					
68.50	20.10					58FC40180
105.00	26.90			290RV4201	4R5805	58FC41240
101.00	13.30					
139.00	20.70					
94.50	27.00					60FC42218
106.00	29.60			300RV4201	E-4R6017	60FC42240
106.00	14.80					
132.00	18.30	314484D	524289A	300RV4221	E-4R6020	60FC42300W
109.00	30.20					
109.00	15.00				E-4R6414	64FC44240
135.00	19.50					
118.00	34.70			320RV4502	E-4R6411	64FC45240
118.00	16.90			320RV4502	E-4R6411	64FC45240
164.00	22.80					
186.00	28.10				E-4R6412	
185.00	26.70					
228.00	31.70	314274B	513654			
174.00	25.00	313445C	521593A	330RV4601	E-4R6605	
103.00	25.50					
106.00	15.40					
108.00	33.40					
107.00	16.70					
105.00	28.00					
122.00	16.70					
159.00	20.60					
201.00	28.90	314485A	527634			
243.00	33.40	314563				
223.00	34.80	BC2B319878				
146.00	19.30	BC2B320075				
240.00	31.30					
247.00	34.00	316890B				
271.00	39.30	314486A	543975		E-4R4704	