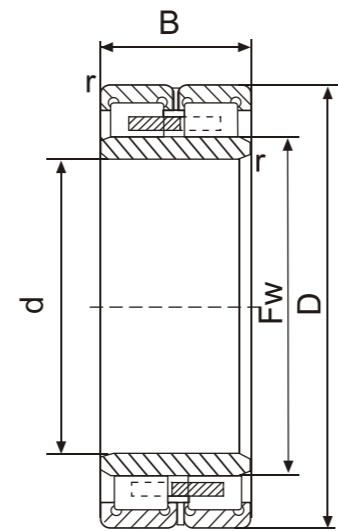


双列圆柱滚子轴承
Double-Row Cylindrical Roller Bearings



NNU0000

双列圆柱滚子轴承 Double-row Cylindrical Roller Bearings

外形尺寸(毫米) Boundary dimensions (mm)					基本额定负荷 (千牛) Basic load ratings (kN)		极限转速 (转/分) Speed rating (rpm)		型号 Designations	重量 (千克) Weight (kg)	相当于国外型号(参考) Equivalent to foreign designations (FYI)	
d	D	B	Fw	r _{min}	Cr	Cor	脂润滑 Grease	油润滑 Oil			SKF	FAG
100	140	40	113	1.1	130	280	3400	4200	NNU4920	2.10	NNU4920	NNU4920
110	150	40	123	1.1	140	290	3100	3850	NNU4922	2.20	NNU4922	NNU4922
120	165	45	134.5	1.1	180	340	2800	3500	NNU4924	2.80	NNU4924	NNU4924
	180	52	135	2.0	240	450	2500	3200	NNU3024X1	4.87		
	190	80	141	2.0	370	710	2500	3100	NNU4124X2	9.00		
215	86	139	2.1	570	850	2200	2750	NNU4224X1	13.60			
130	180	50	146	1.5	220	470	2500	3100	NNU4926	4.00	NNU4926	NNU4926
140	190	50	156	1.5	280	580	2200	2750	NNU4928	4.20	NNU4928	NNU4928
	210	53	158	2.0	270	590	2100	2600	NNU3028	6.50		
	210	62.5	158	2.0	370	700	2100	2600	NNU4028X1-1	7.90		
210	77.5	158	2.0	450	950	2100	2600	NNU4028X1-2	9.80			
150	210	60	168.5	2.0	340	730	2000	2500	NNU4930	6.70	NNU4930	NNU4930
	225	60	169	2.1	380	700	1900	2350	NNU3030X1	8.70		
	270	120	180	3.0	930	1710	1600	2000	NNU4230X1	31.50		
160	220	60	178.5	2.0	330	680	1900	2350	NNU4932	6.90	NNU4932	NNU4932
170	230	60	188.5	2.0	340	700	1800	2200	NNU4934	7.25	NNU4934	NNU4934
180	250	69	202	2.0	400	850	1600	2000	NNU4936	10.50	NNU4936	NNU4936
	270	120	202	2.1	790	1650	1400	1800	NNU5036X3	25.80		
190	260	69	212	2.0	420	990	1450	1800	NNU4938	11.50	NNU4938	NNU4938
200	280	80	225	2.1	480	1040	1400	1700	NNU4940	15.00	NNU4940	NNU4940
	310	109	234	2.1	670	1440	1350	1700	NNU4040	32.70		
	310	130	229	2.1	1000	2270	1350	1700	NNU4940X2	38.90		
	360	148	242	4.0	1520	2890	1000	1250	NNU4240X1	71.90		
220	300	80	245	2.1	530	1150	1300	1600	NNU4944	18.00	NNU4944	NNU4944
	340	96	246	3.0	950	1760	950	1250	NNU3044X1	32.80		
240	320	80	265	2.1	620	1450	1200	1500	NNU4948	18.50	NNU4948	NNU4948
	360	165	270	3.0	1310	2950	1150	1420	NNU5048X1	61.70		
260	360	100	292	2.1	750	1900	1100	1350	NNU4952	35.80	NNU4952	NNU4952
	370	100	292	2.1	830	2050	1100	1350	NNU4952X2	37.10		
280	380	100	312	2.1	850	2100	1000	1250	NNU4956	36.00	NNU4956	NNU4956
300	420	118	339	3.0	950	2500	900	1150	NNU4960	54.50	NNU4960	NNU4960
320	440	118	359	3.0	1000	2700	850	1100	NNU4964	58.00	NNU4964	NNU4964