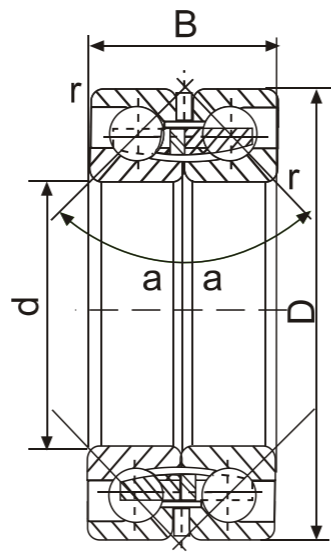




双内圈双列角接触球轴承  
Double Row Angular Contact Ball Bearings With Double Inner Rings



**0000D**

双内圈双列角接触球轴承 Double Row Angular Contact Ball Bearings With Double Inner Rings

外形尺寸(毫米) Boundary dimensions (mm)				基本额定负荷 (千牛) Basic load ratings (kN)		极限转速 (转/分) Speed rating (rpm)		型号 Designations	重量(千克) Weight (kg)	相当于国外型号(参考) Equivalent to foreign designations (FYI)	
d	D	B	r <sub>min</sub>	C <sub>r</sub>	C <sub>or</sub>	脂润滑 Grease	油润滑 Oil			SKF	FAG
100	170	60.3	2.1	132	191	1950	2700	3320X1D	5.90	305397D	511044
110	200	83	2.1	178	260	1900	2600	4222X3D	12.00		
120	180	60	2.0	110	183	1900	2600	4024D	5.60		
	190	66	2.0	139	220	1900	2600	4024X3D	7.50	305256D	517458A
130	210	80	2.0	142	235	1850	2500	4026X2D	9.70		
140	209.5	66	2.0	134	237	1800	2400	4028X3D	8.28	309515D	538854
	210	69	2.0	124	217	1800	2400	4028D	10.10		
150	225	73	2.1	159	280	1600	2200	4030X2D	10.50	305286D	510776A
	225	75	2.1	159	280	1600	2200	4030D	10.80		
	230	70	2.1	159	280	1600	2200	4030X3D	11.10	305283D	506963
160	240	80	2.1	171	305	1500	2000	4032D	13.00		
170	259.5	84	2.1	208	385	1400	1900	4934X3D	16.70		
	260	90	2.1	208	385	1400	1900	4034D	18.10		538853
180	259.5	66	2.1	153	293	1300	1800	4936X3D	12.00	305262D	509059A
	280	100	2.1	240	451	1300	1800	4036D	23.60		
190	269.5	66	2.1	163	318	1200	1700	4938X3D	11.60	305338D	508658A
	290	100	2.1	247	480	1200	1700	4038D	24.60		
200	279.5	76	2.1	201	387	1100	1600	4940X3D	14.80	305428D	508733A
	289.5	76	2.1	221	439	1100	1600	4940X3D-1	17.30	305263D	509590A
	310	109	2.1	273	558	1100	1600	4040D	31.70		
220	309.5	76	3.0	238	491	1060	1400	4944X3D	18.50	305272D	511045A
	340	118	3.0	309	670	1060	1400	4044D	41.40		
230	329.5	80	3.0	203	423	1020	1400	4946X1D	22.90	305264D	573466
240	360	118	3.0	315	706	1000	1300	4048D	44.30		
	359.5	118	3.0	315	706	1000	1300	4048X1D	44.10		
	370	112	3.0	314	707	1000	1300	4048X3D	47.00		
	440	144	3.0	475	1139	1000	1300	3248X2D	105.00		
260	369.5	92	4.0	286	652	890	1200	4952X3D	30.00	305270D	508731
	400	140	4.0	376	901	890	1200	4052D	68.00		
280	389.5	92	4.0	278	650	850	1100	4956X3D-1	31.90	305269D	508730
	390	92	4.0	278	650	850	1100	4956X3D	32.00		
	420	140	4.0	383	947	850	1100	4056D	72.00		
300	419.5	112	4.0	350	863	800	1080	4960X3D	50.50		
	460	160	4.0	425	1098	770	1060	4060D	103.00		
320	459.5	140	4.0	396	1022	740	1000	4064X3D	79.90		
	480	160	4.0	432	1142	740	1000	4064D	109.00		
340	520	180	5.0	480	1280	700	900	4068D	135.00		